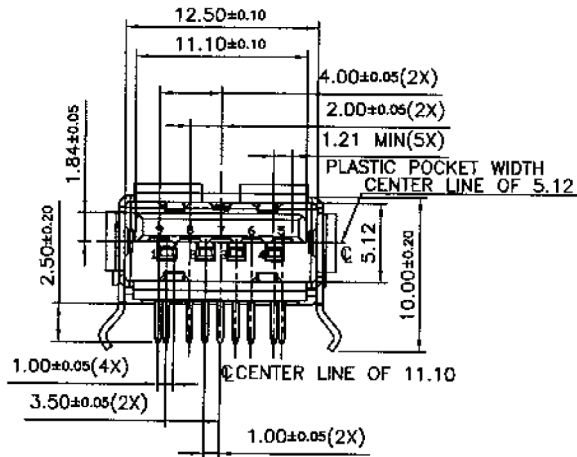


Revision			
Nr.	Description	By	Date
1	Initial	ATS	15.09.11



Material and Finish:

1. Insulator Material: High Temperature Plastic, UL94V-0, Color: Blue
2. Contact Material: Copper Alloy
3. Shell Material: Copper Alloy
4. Contact Plated:
Contact Area Plated: 15u" Selective Gold Plated
Solder tails Area Plated: 100u" Tin Plated
Underplate: 80u" Nickel Plated
5. Shell Plated: 80u" Nickel Plated
6. Packing: Tape & Reel

NOTE:

3. ELECTRICAL REQUIREMENTS:

CONTACT RESISTANCE: 30mOhms max. initial for VBUS and GND contact
50mOhms max. initial for all other contacts

DIELECTRIC STRENGTH: 100Volts AC(RMS)

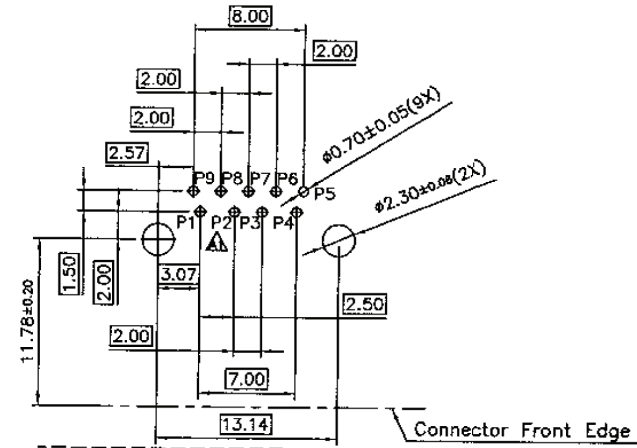
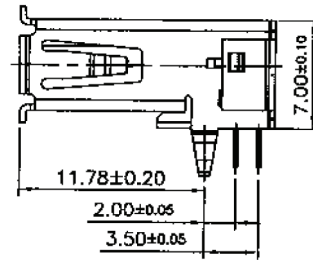
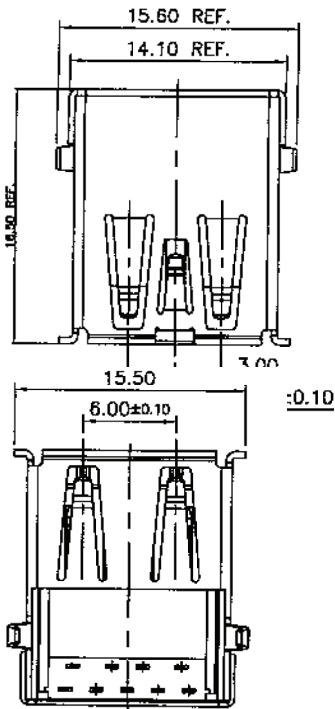
INSULATION RESISTANCE: 100 MOhms minimum.

CONTACT CURRENT RATING: 1.8A max. (PIN1, PIN4) all other contacts 0.25A min.

4. MECHANICAL REQUIREMENTS:

INSERTION FORCE: 35N max.

EXTRACTION FORCE: 10N min. initial, 8N after the specified insertion/extraction or durability cycles



Recommended P.C.B Layout

RoHS Compliant

PART NO.	TITLE	CONTACT PLATED
20870010	USBIII-A-SL-BL-GS4-W-R-RO	15u" Gold Plated
20870020	USBIII-A-SL-BL-GS6-W-R-RO	30u" Gold Plated

DWN	EC		
UNLESS OTHERWISE SPECIFIED TOLERANCE			
ANG. ±2°		Name	
0 ±0.38		USB 3.0 A Receptacle, horizontal type, DIP (20870010)	
∞ ±0.25		Part Nr	
Dimensions in mm		A46-4033	
		Size	
		A3	
Customer Drawing		Scale	NTS
		Page	1 of 1
		Rev	A